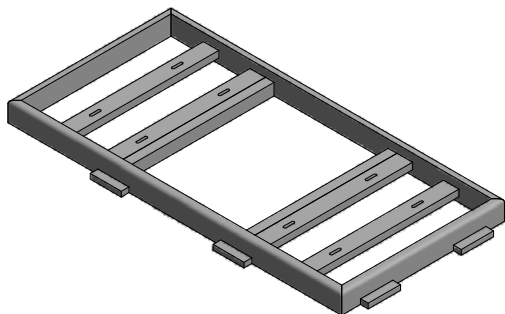
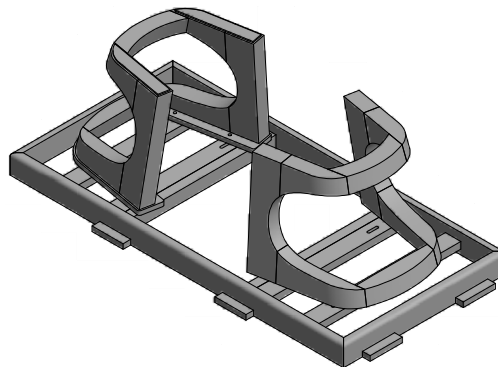


ASSEMBLY INSTRUCTIONS

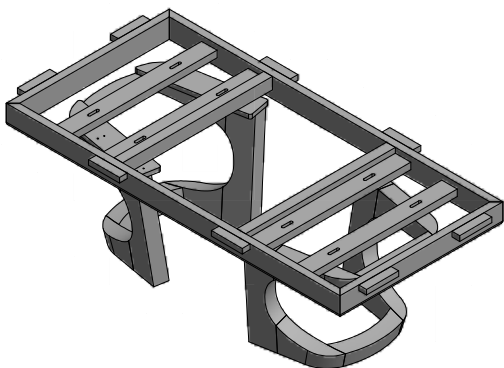
SUTTER BASE AND CHASSIS



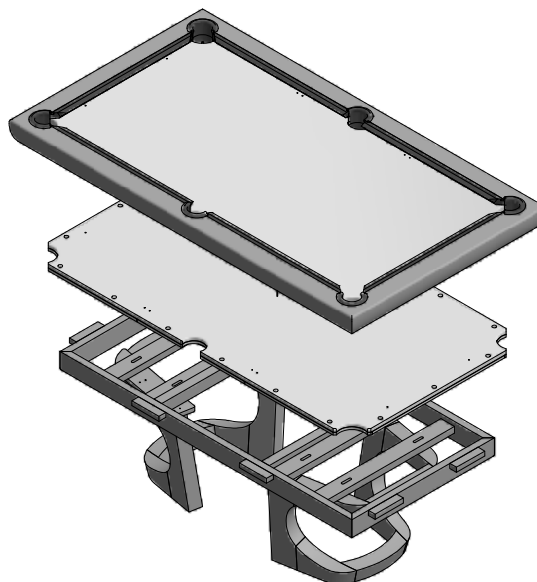
- 1** PLACE THE CHASSIS UPSIDE-DOWN ON A PROTECTED SURFACE SUCH AS THE PACKAGING THAT IT CAME IN (SO THAT YOUR FLOOR IS NOT DAMAGED.)



- 2** SET THE LEGS IN PLACE AS SHOWN AND FASTEN USING THE BOLTS AND WASHERS PROVIDED.



- 3** WITH HELP, TURN THE TABLE UPSIDE-RIGHT.



- 4** THE BASE IS NOW READY FOR THE INSTALLATION OF SLATE, BILLIARD CLOTH AND RAILS. REFER TO THE RAIL ASSEMBLY INSTRUCTIONS FOR INSTALLATION OF THE RAILS. HAVE A QUALIFIED TECHNICIAN INSTALL SLATE AND BILLIARD CLOTH.