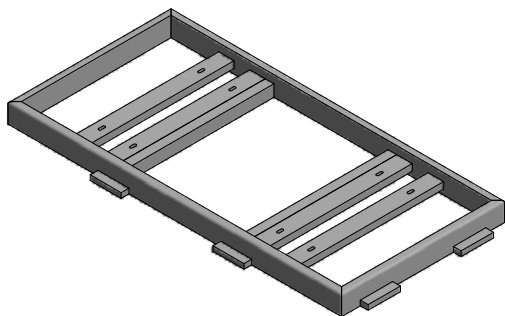
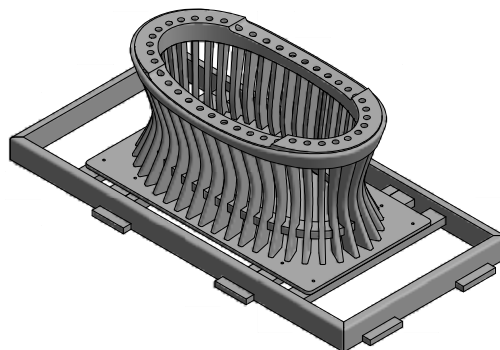


ASSEMBLY INSTRUCTIONS

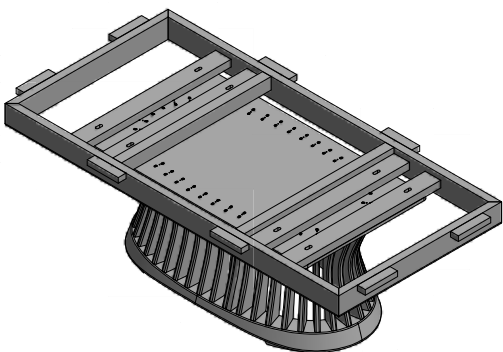
HIGHLAND BASE AND CHASSIS



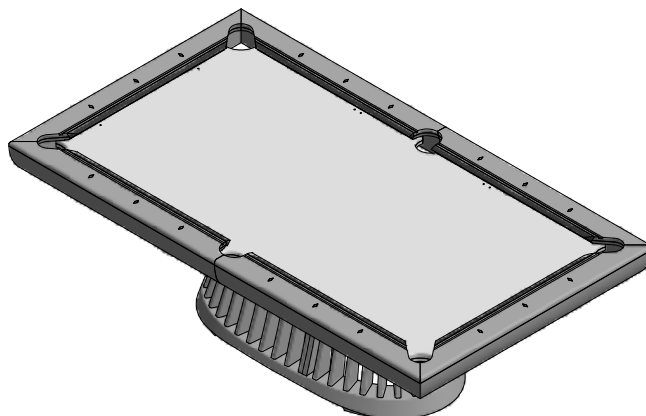
- 1** PLACE THE CHASSIS UPSIDE-DOWN ON A PROTECTED SURFACE SUCH AS THE PACKAGING THAT IT CAME IN (SO THAT YOUR FLOOR IS NOT DAMAGED.)



- 2** WITH HELP SET THE BASE INTO POSITION AS SHOWN AND INSTALL THE BOLTS AND WASHERS PROVIDED TO HOLD THE BASE IN PLACE.



- 3** WITH HELP, TURN THE TABLE UPSIDE-RIGHT.



- 4** THE BASE IS NOW READY FOR THE INSTALLATION OF SLATE, BILLIARD CLOTH AND RAILS. REFER TO THE RAIL ASSEMBLY INSTRUCTIONS FOR INSTALLATION OF THE RAILS. HAVE A QUALIFIED TECHNICIAN INSTALL SLATE AND BILLIARD CLOTH.