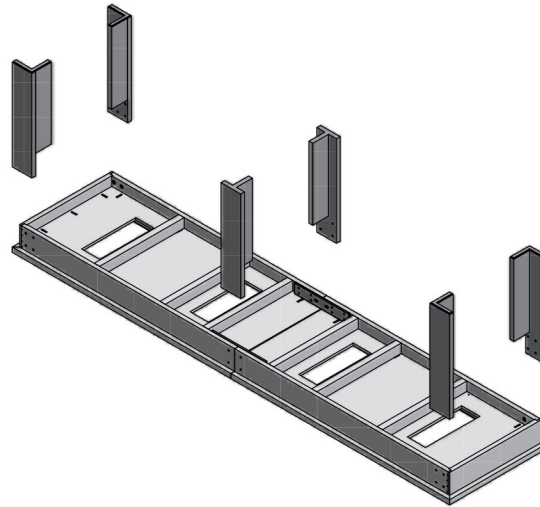
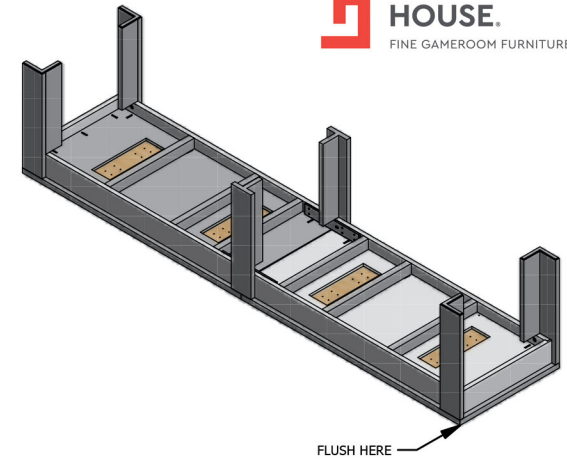


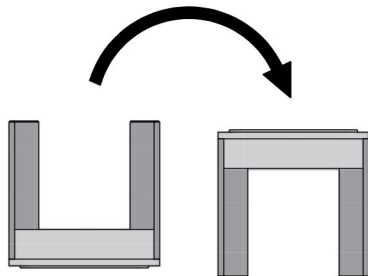
1 PLACE THE CRADLE HALVES IN POSITION IN YOUR ROOM AND LAY THEM UPSIDE-DOWN ON A PROTECTIVE SURFACE SO THAT NO DAMAGE IS DONE TO YOUR FLOOR OR TO THE CRADLE. FASTEN THE TWO HALVES TOGETHER USING THE JOINER PLATE AND THE BOLTS PROVIDED.



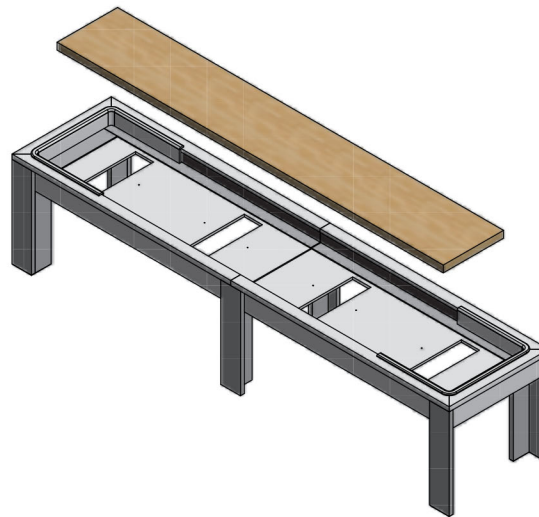
2 IDENTIFY THE PAIRED END LEGS (LEFTS AND RIGHTS) AND CENTER LEGS. THEY WILL BE INSTALLED ON THE TABLE AS SHOWN.



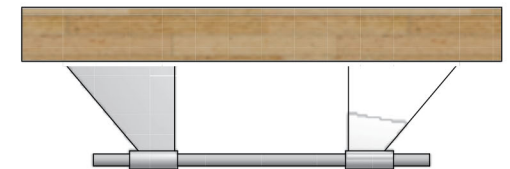
3 PLACE THE LEGS IN POSITION AND FASTEN THE LEGS TO THE CRADLE USING THE BOLTS PROVIDED. BEFORE TIGHTENING THE BOLTS, ADJUST THE POSITION OF THE END LEGS SO THAT THEY ARE FLUSH WITH THE END OF THE TABLE TOP RAIL.



4 WITH HELP, TURN THE TABLE UPSIDE-RIGHT. YOU ARE BASICALLY ROLLING IT OVER GENTLY.



5 SET TWO SHUFFLEBOARD PUCKS ON EITHER END OF THE TABLE, THEN GET HELP TO LIFT THE PLAYFIELD INTO THE CRADLE, ON TOP OF THE PUCKS. FROM UNDERNEATH THE TABLE, LIFT THE PLAYFIELD AND REMOVE THE PUCKS. LEVEL THE TABLE USING THE ADJUSTABLE LEVELS ON THE LEG.



6 ADJUST THE CLIMATIC ADJUSTERS SO THAT THE PLAYFIELD IS SLIGHTLY CONCAVE (THE MIDDLE OF THE TABLE BOWS DOWNWARD). USE THE OUTER AND INNER NUTS TO MAKE ADJUSTMENTS TO THE CONCAVITY OF THE PLAYFIELD.