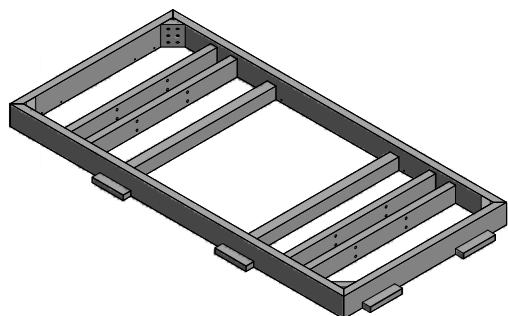
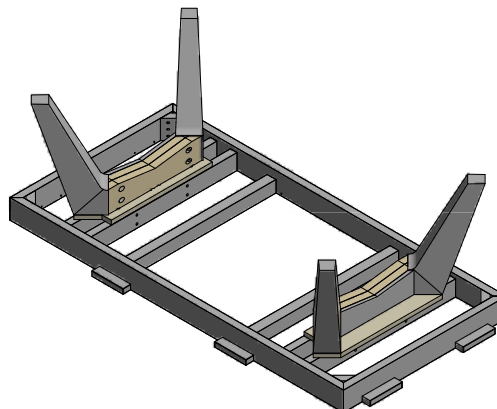


# ASSEMBLY INSTRUCTIONS

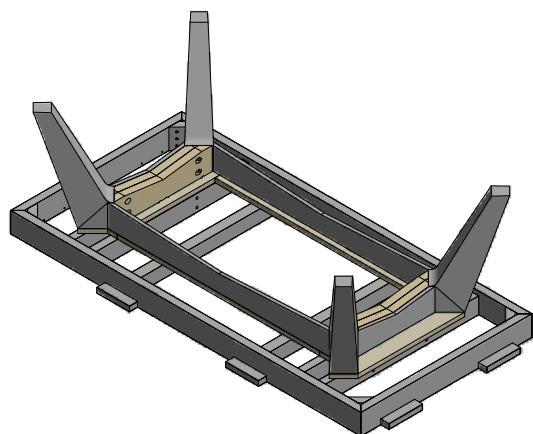
## AUSTIN BASE AND CHASSIS



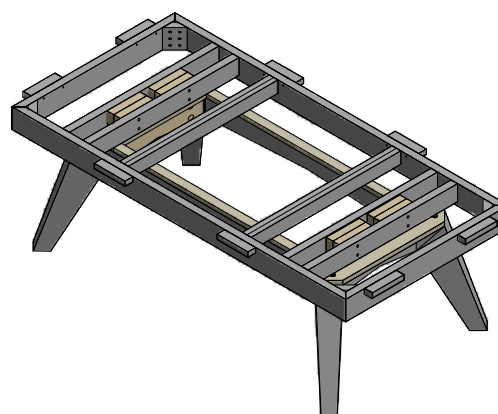
- 1** PLACE THE CHASSIS UPSIDE-DOWN ON A PROTECTED SURFACE SUCH AS THE PACKAGING THAT IT CAME IN (SO THAT YOUR FLOOR IS NOT DAMAGED.)



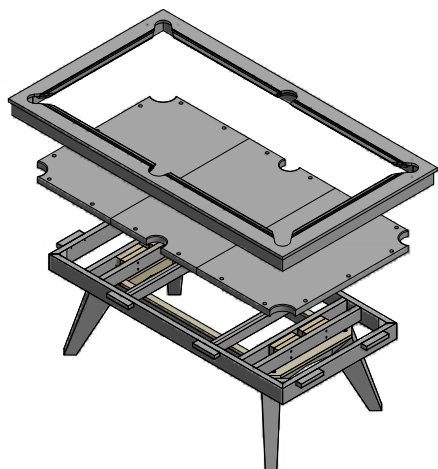
- 2** INSERT THE LEGS AS SHOWN AND LOOSELY INSTALL THE BOLTS AND WASHERS PROVIDED TO HOLD THE LEGS IN PLACE, BUT ALLOWING A LITTLE BIT OF MOVEMENT FOR INSTALLING THE CENTER STRETCHER.



- 3** INSTALL THE CENTER STRETCHERS USING THE SCREWS AND ANGLE BRACKETS PROVIDED. THE STRETCHERS ARE FASTENED TO THE LEGS USING THE ANGLE BRACKETS.



- 4** FASTEN THE OUTER LEGS TIGHTLY. THEN, WITH HELP, TURN THE TABLE UPSIDE-RIGHT.



- 5** THE BASE IS NOW READY FOR THE INSTALLATION OF SLATE, BILLIARD CLOTH AND RAILS. REFER TO THE RAIL ASSEMBLY INSTRUCTIONS FOR INSTALLATION OF THE RAILS. HAVE A QUALIFIED TECHNICIAN INSTALL SLATE AND BILLIARD CLOTH.